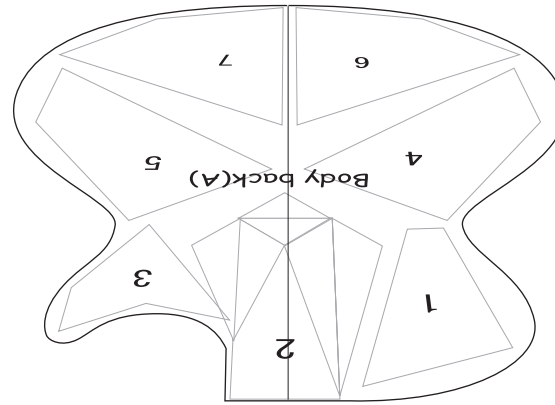
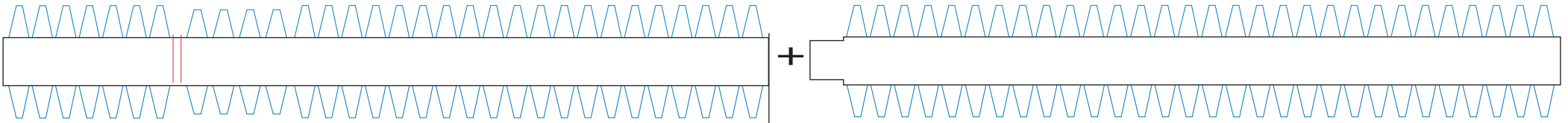
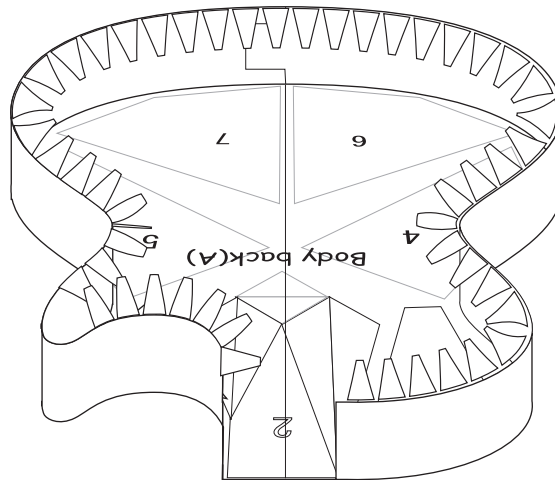
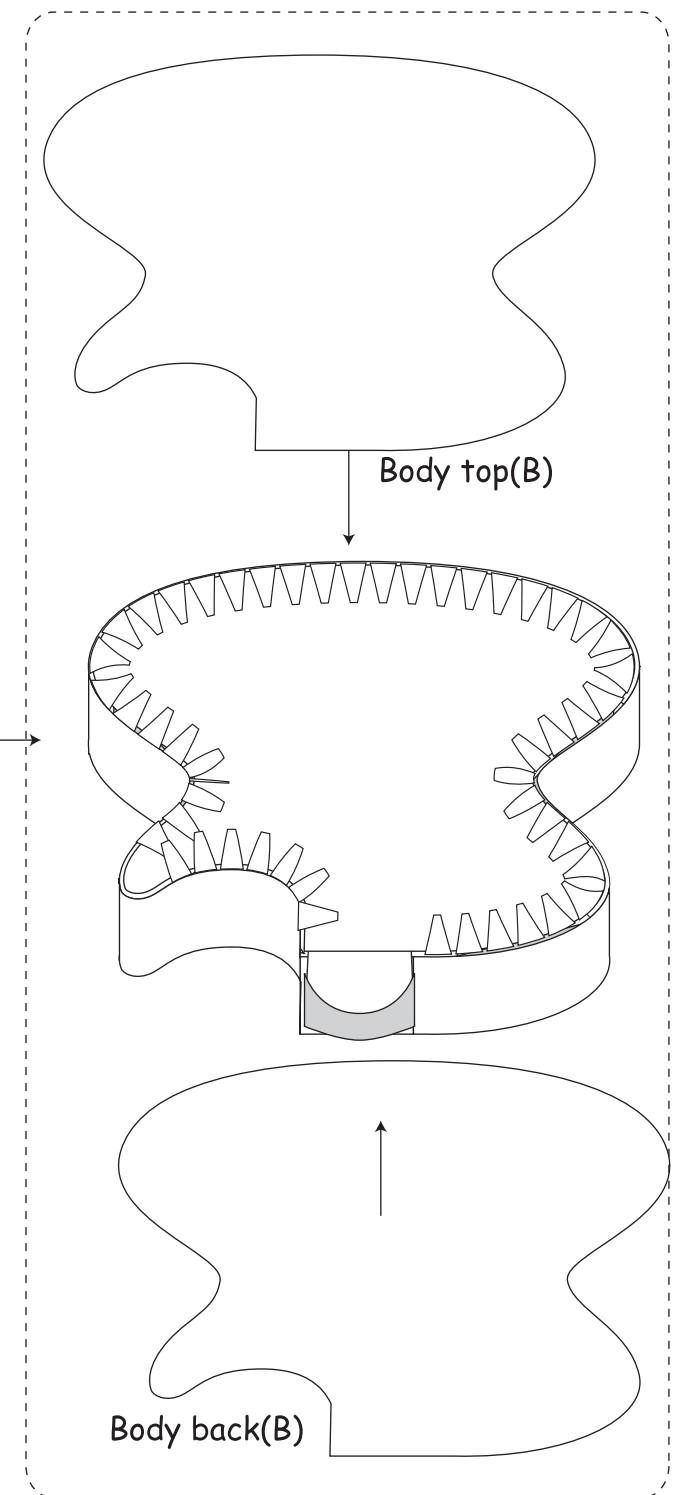
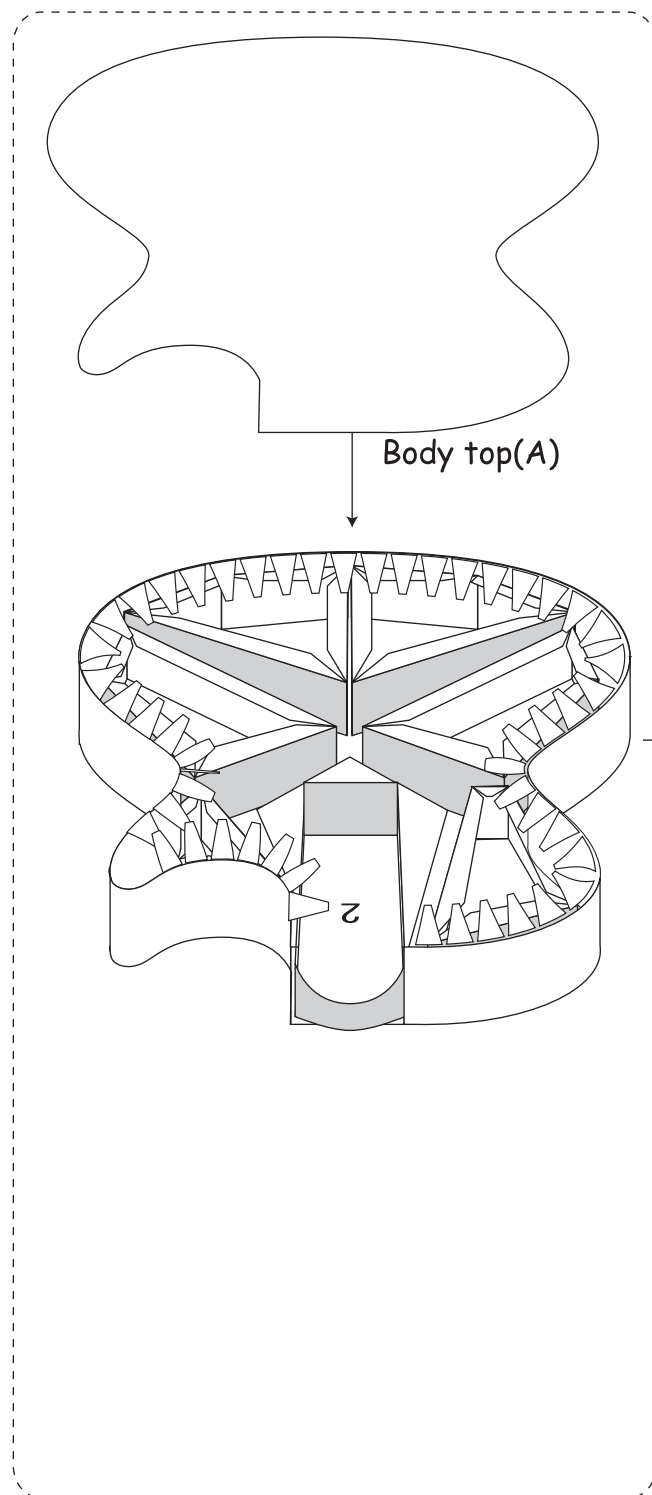
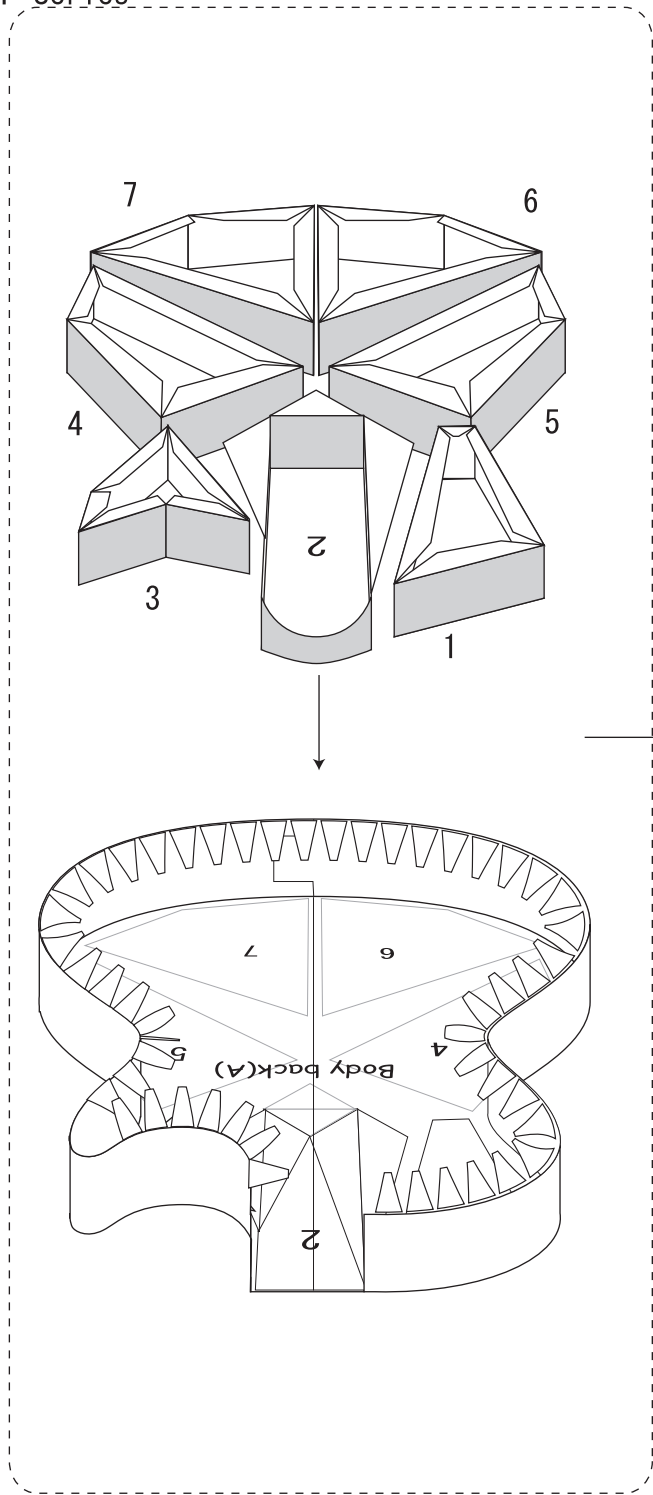


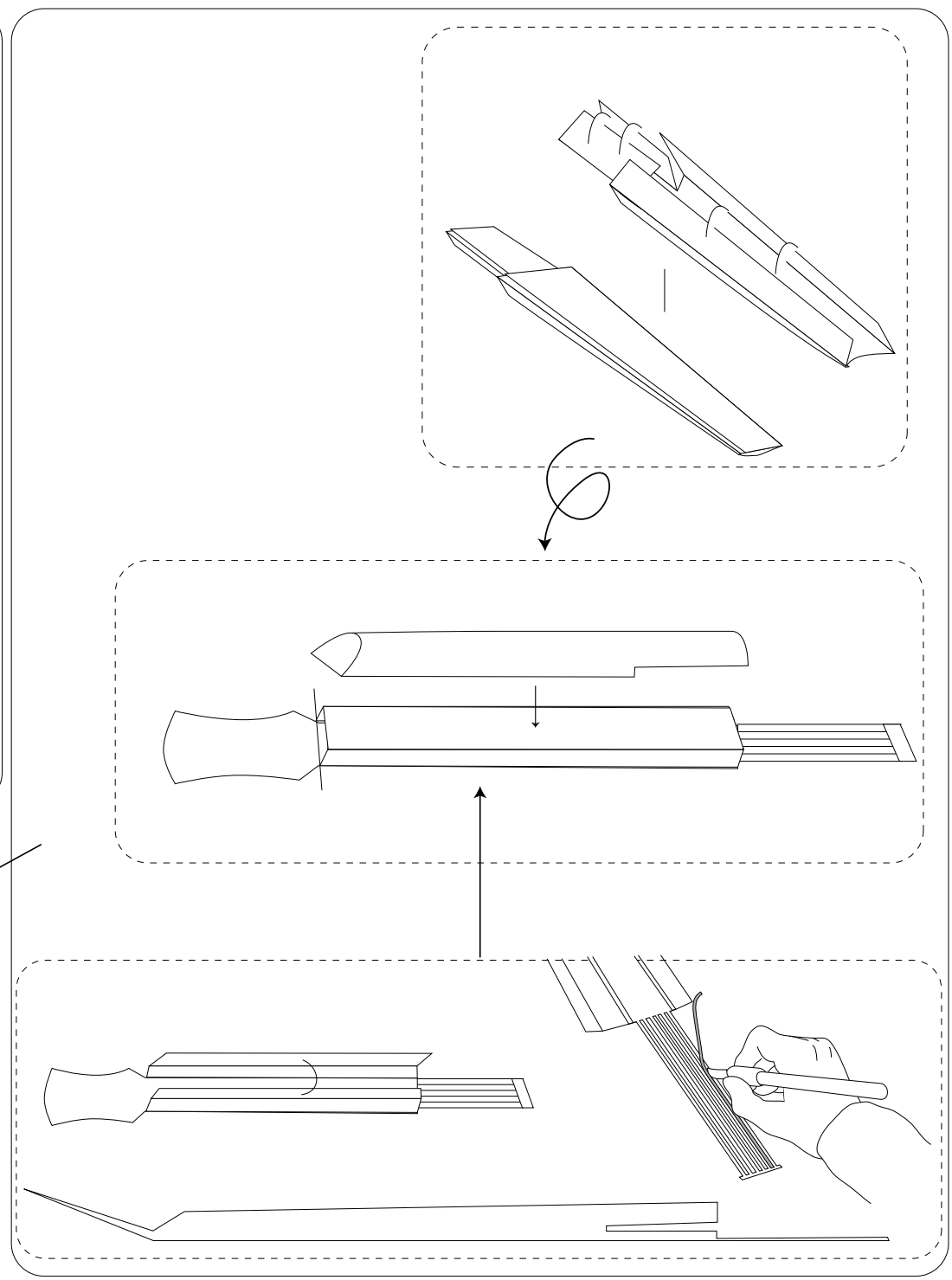
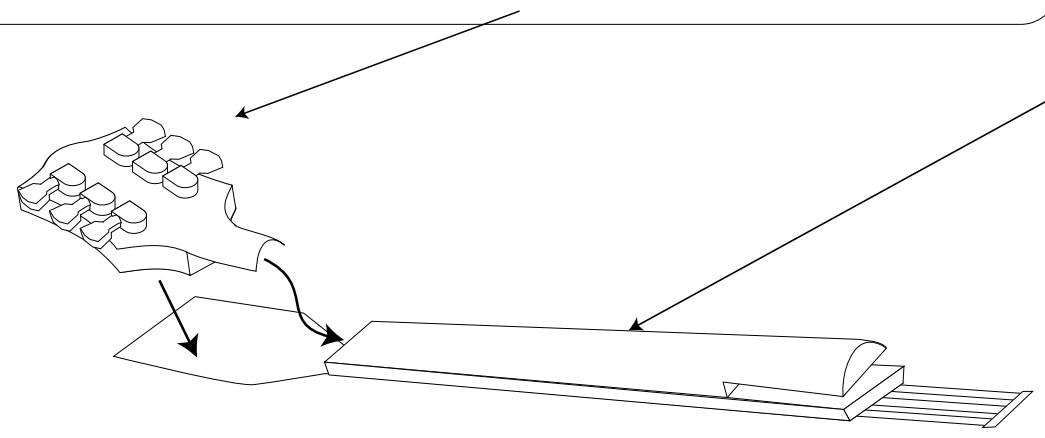
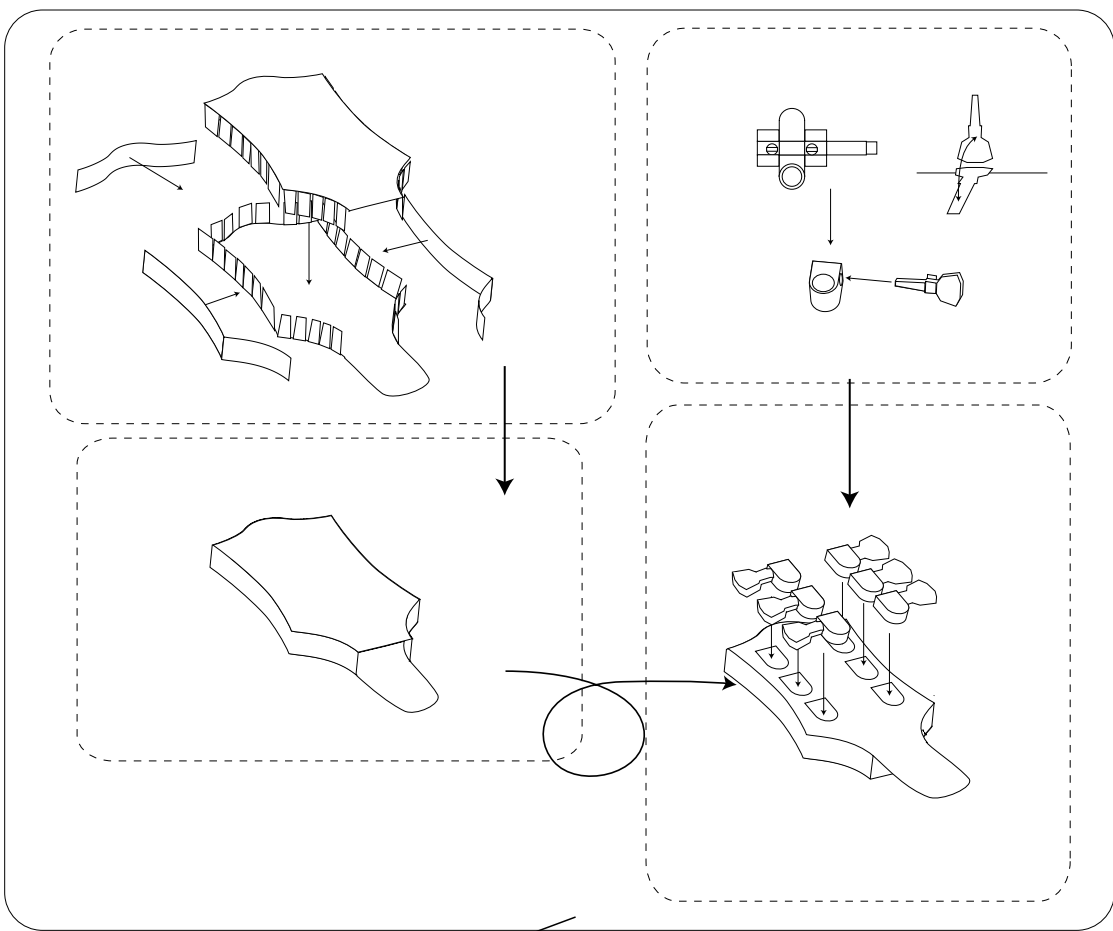
Body side1 + Body side2



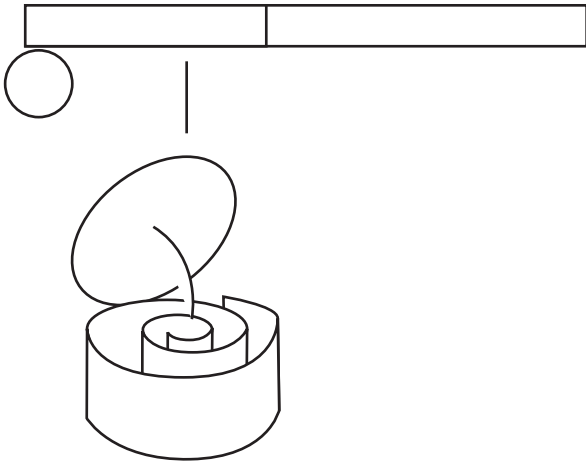
Body back(A)



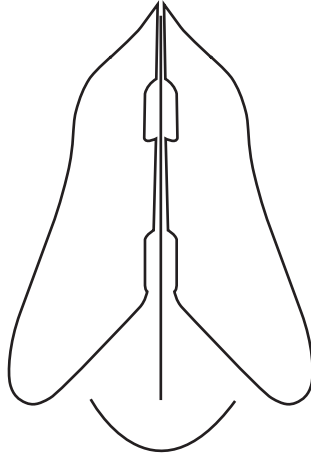




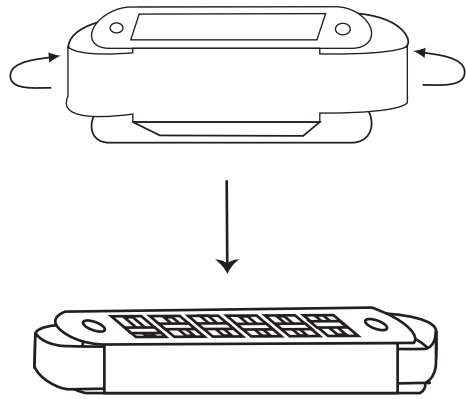
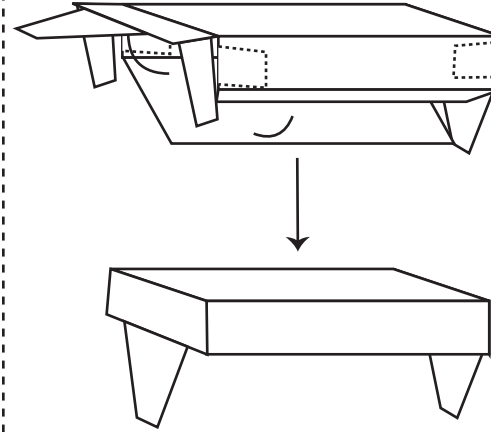
Knobs



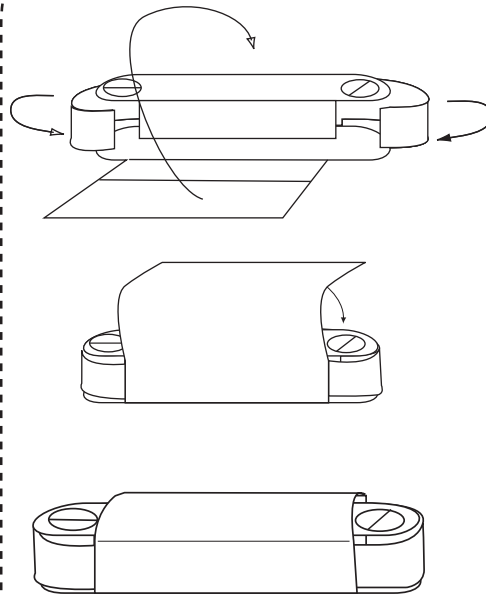
Pickguard



Pickups

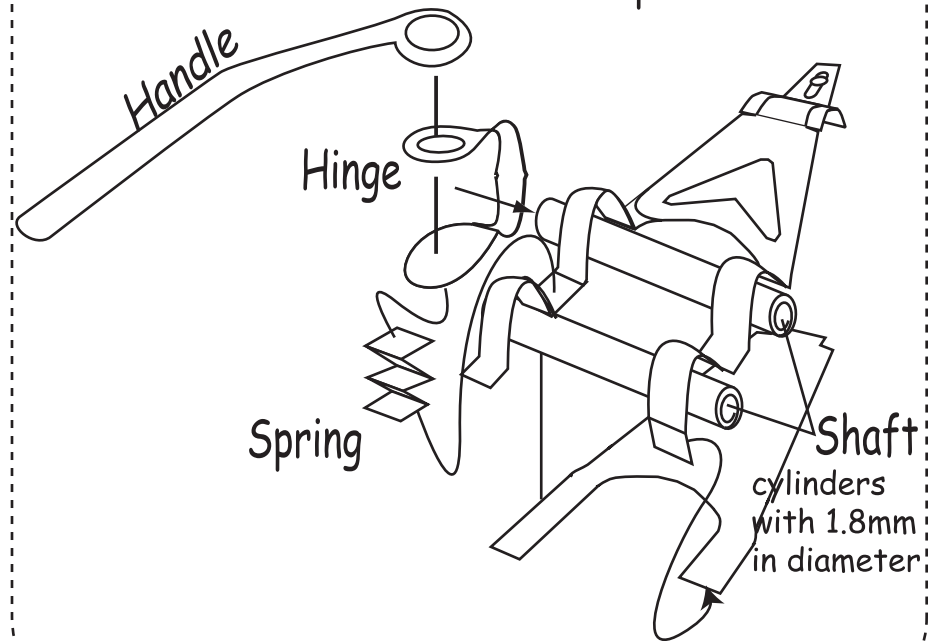


Bridge

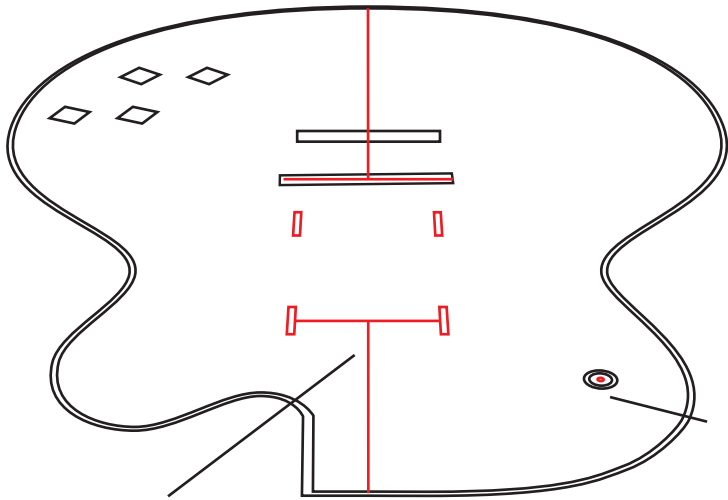


Tailpiece

Tailpiece



Body_top(C)

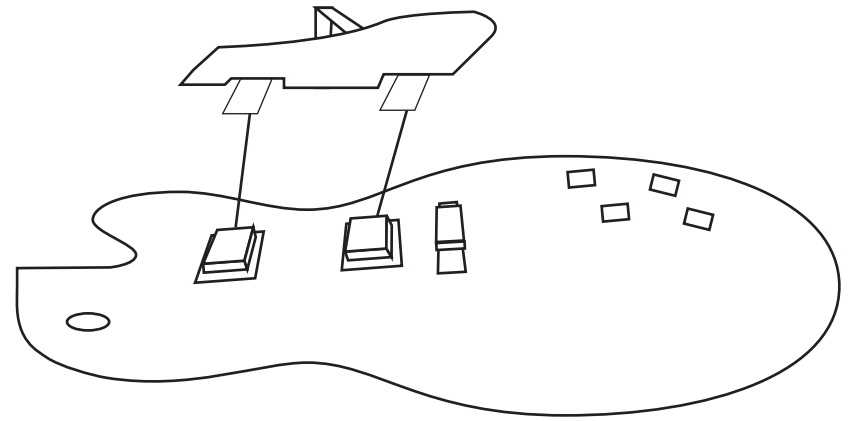


Make cuts along the red line.

Make a small hole.

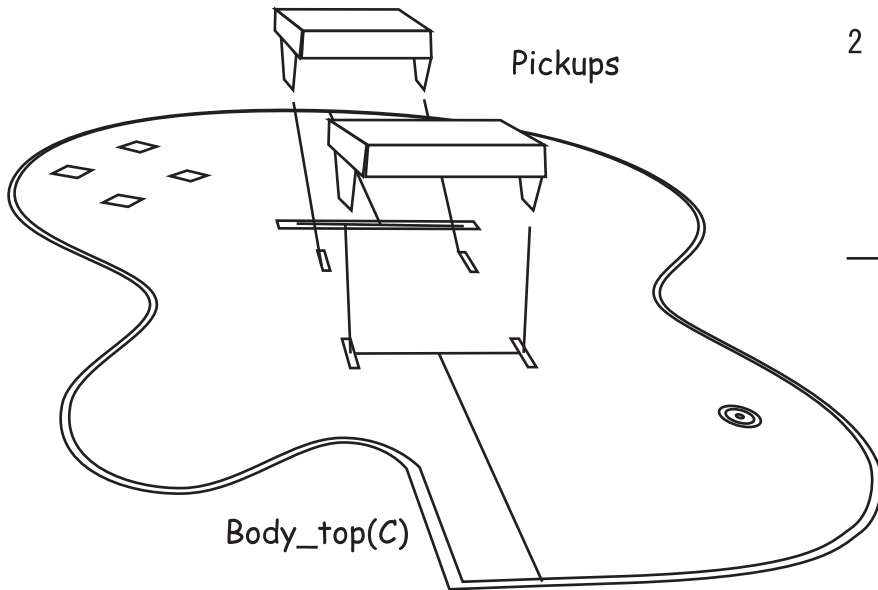
1

Pickguard



4

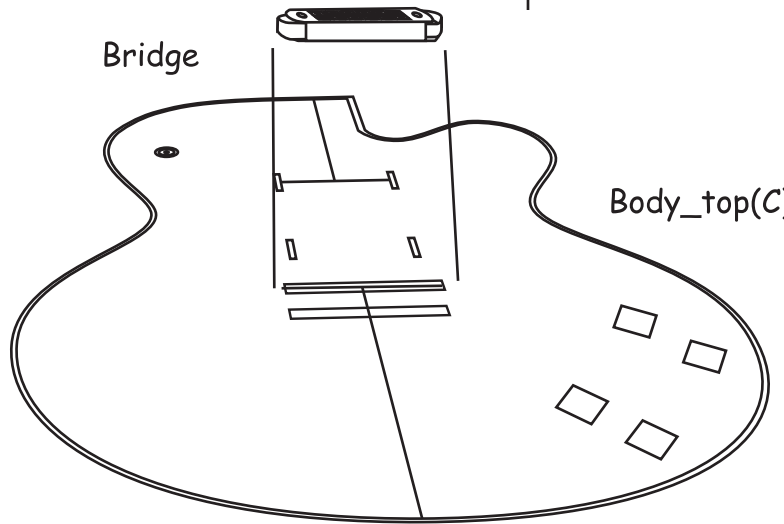
Pickups



2

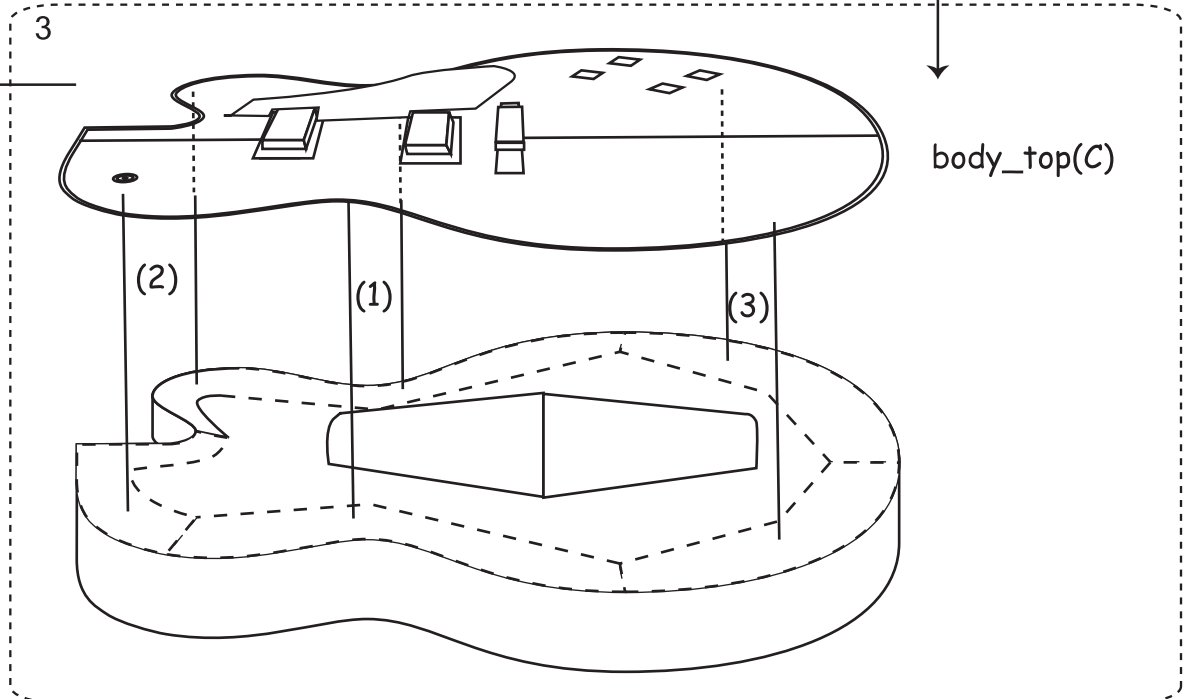
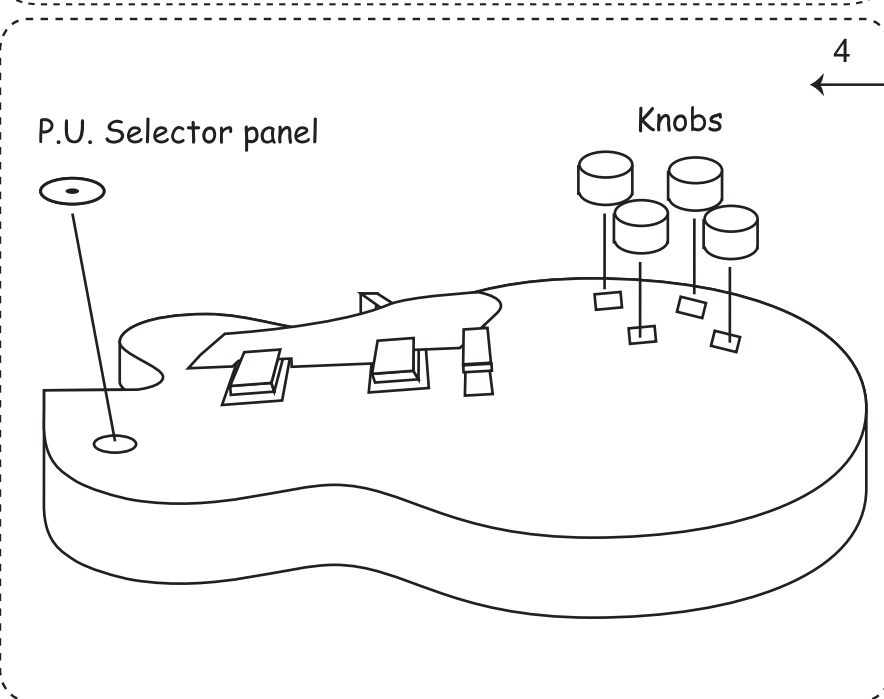
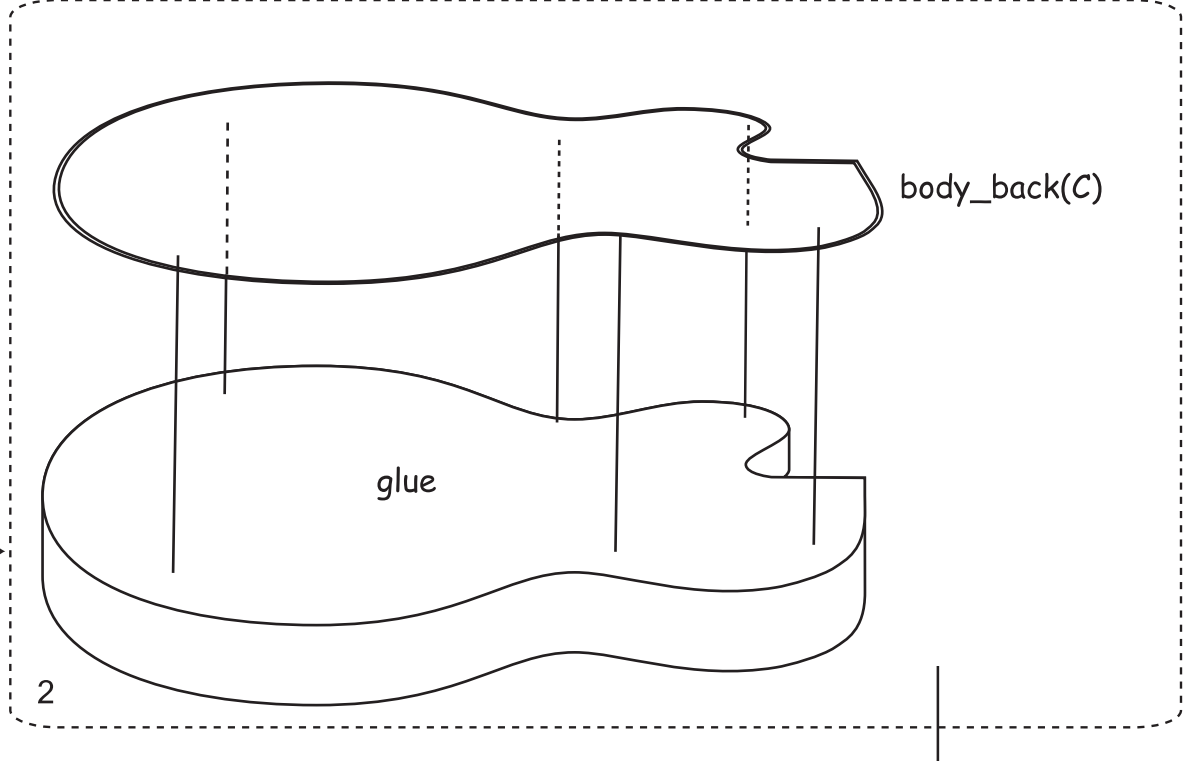
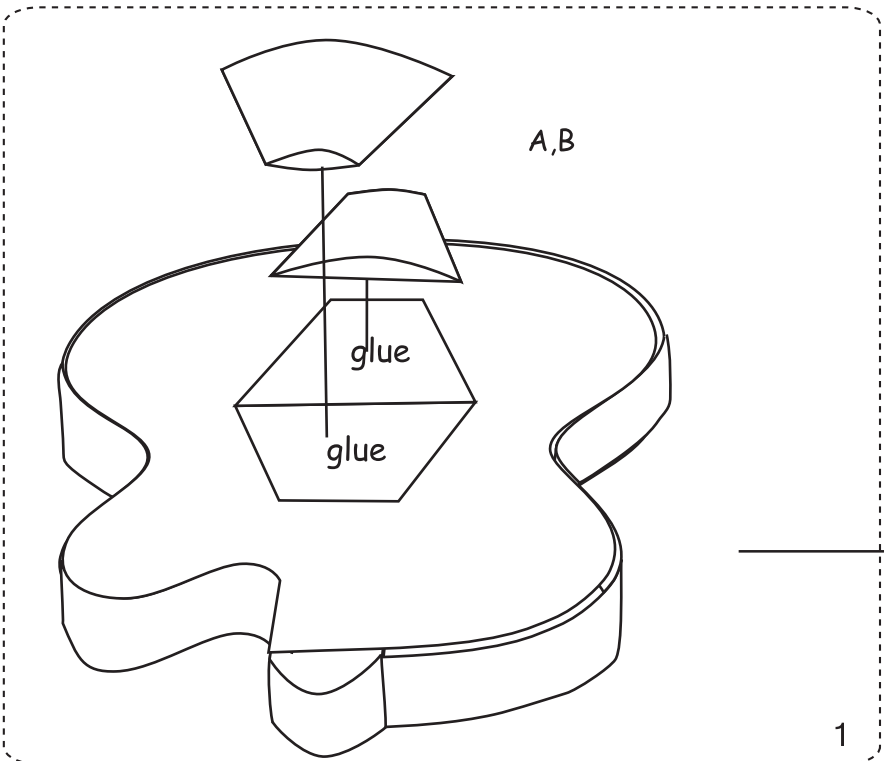
Body_top(C)

Bridge

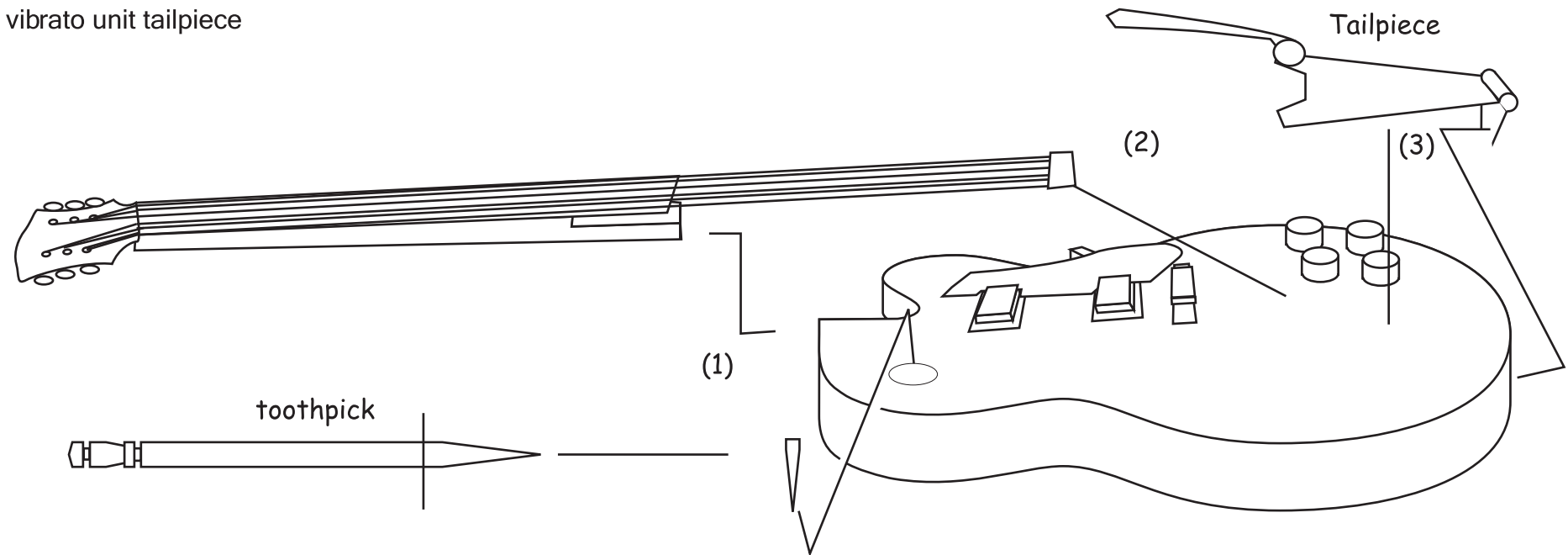


3

Body_top(C)



vibrato unit tailpiece



stop tailpiece

