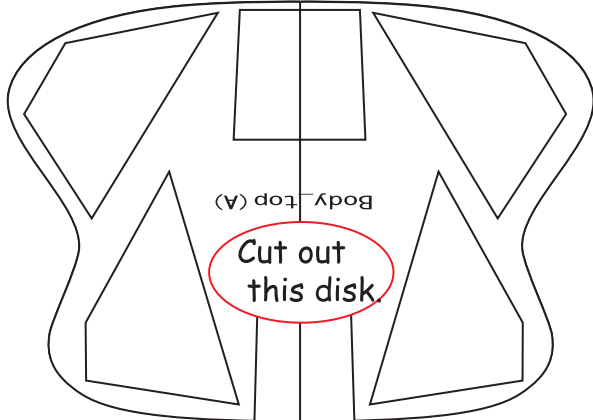
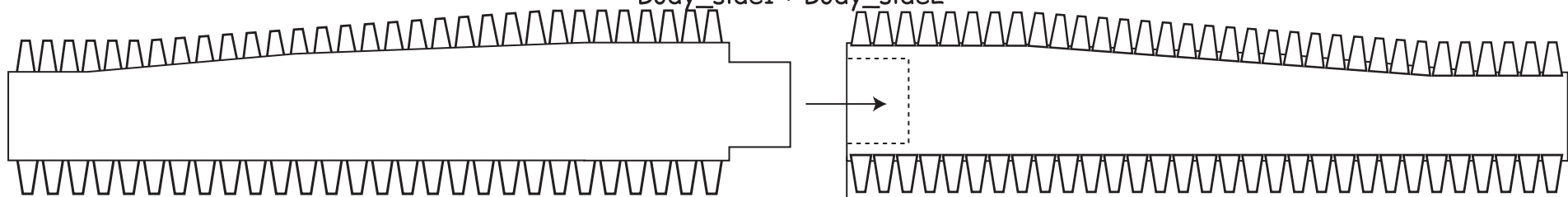


back



top

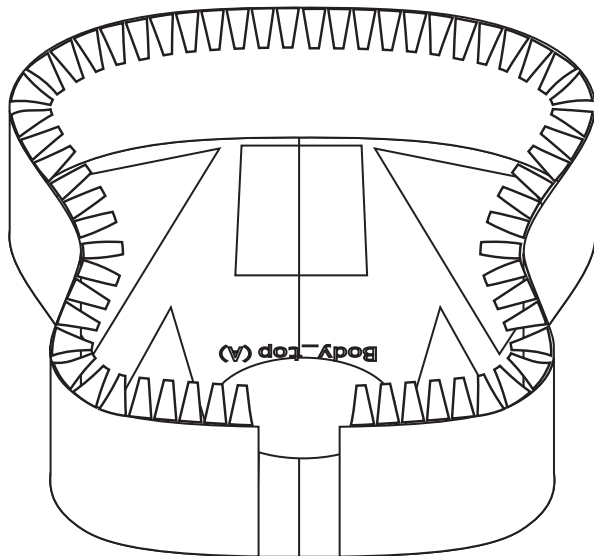
Body_side1 + Body_side2



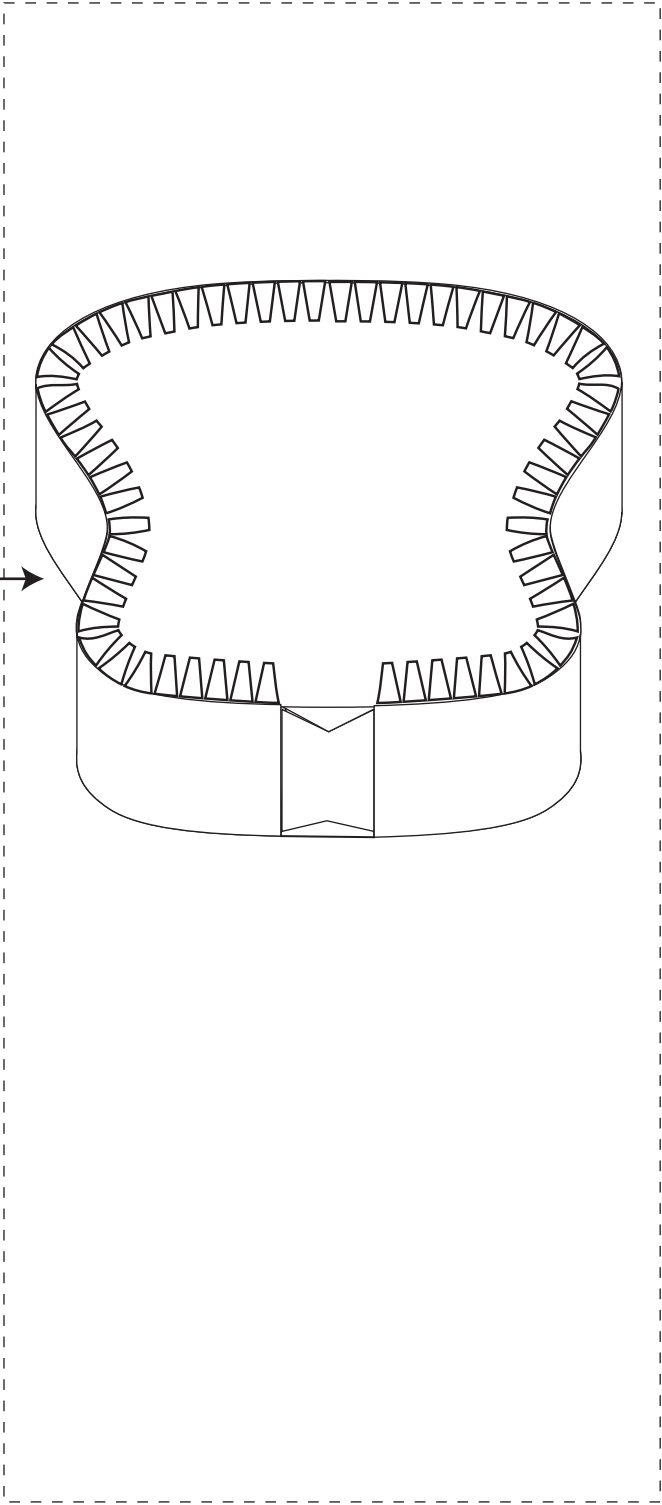
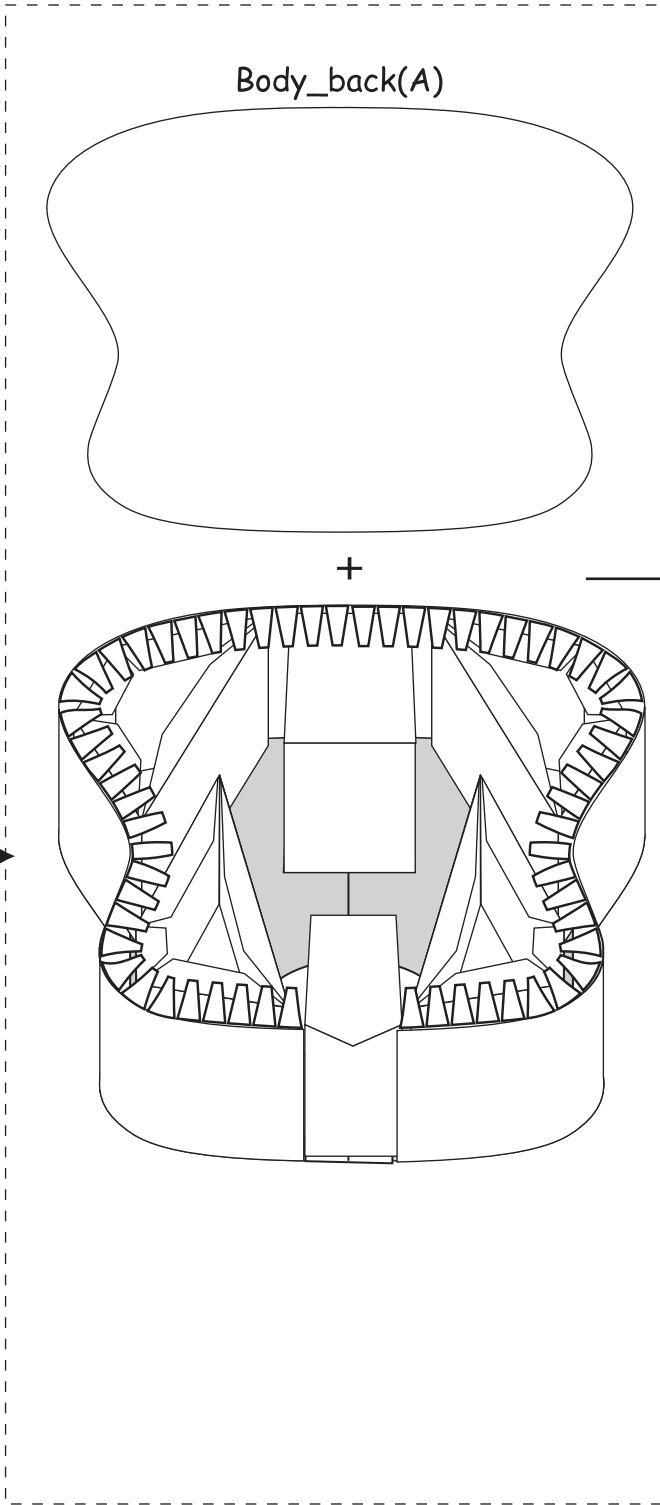
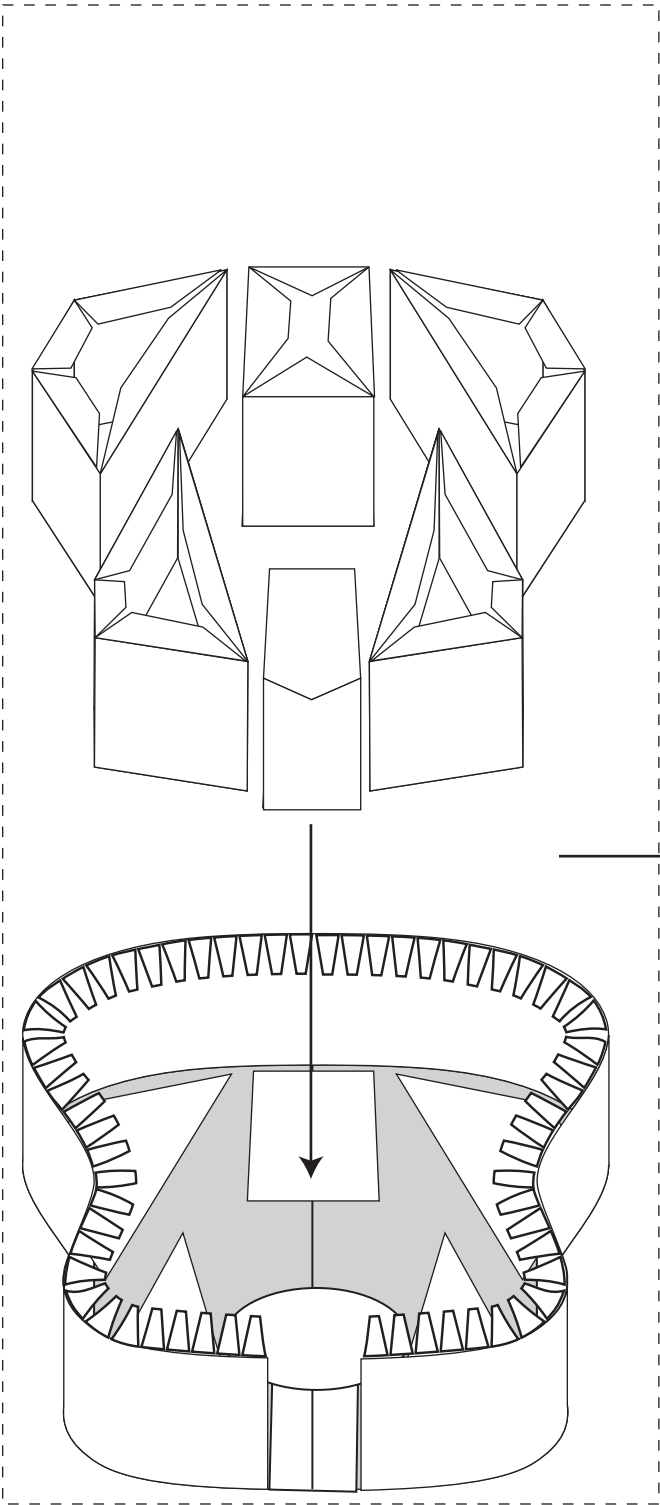
Body_top (A)

Cut out this disk

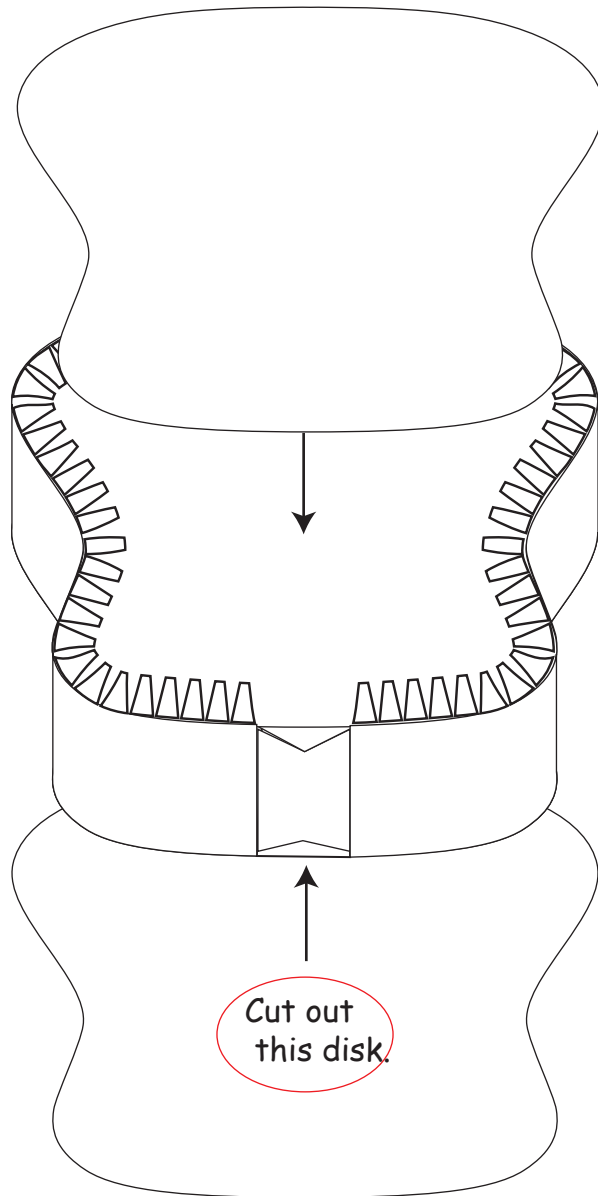
Body_top(A)



Body_top (A)



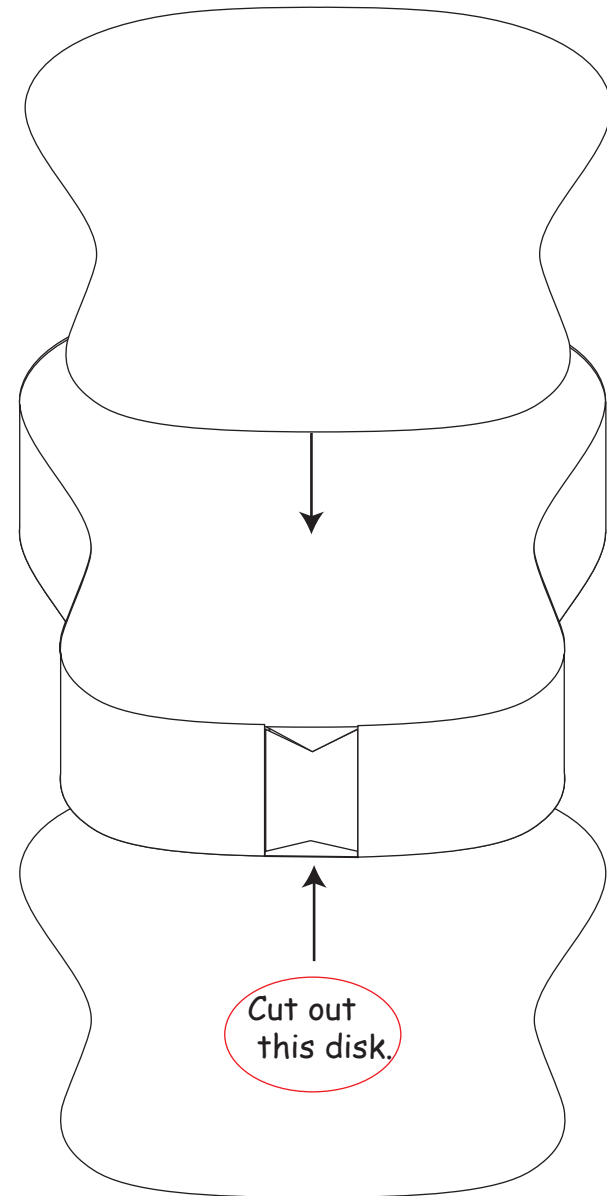
Body_back(B)



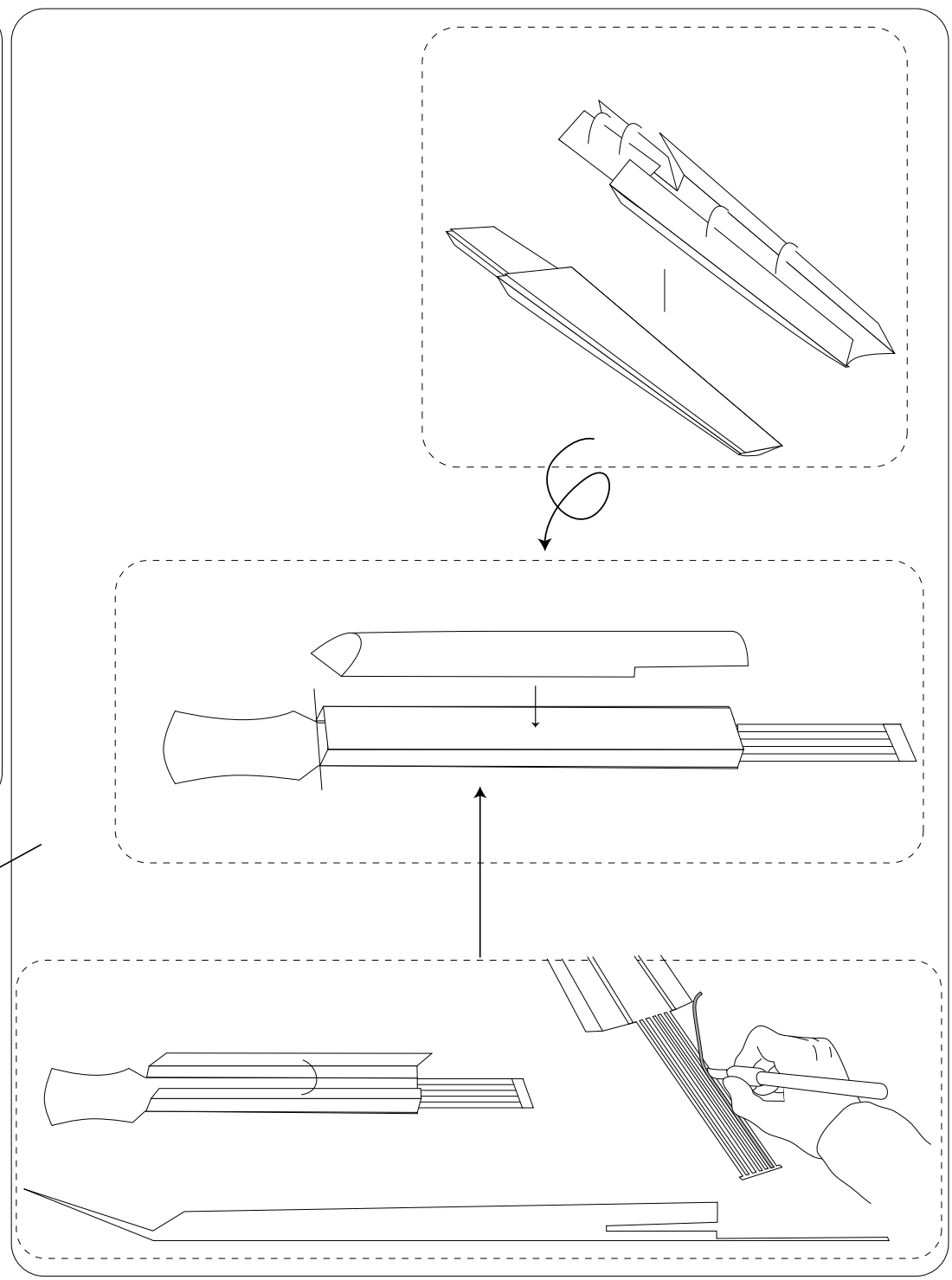
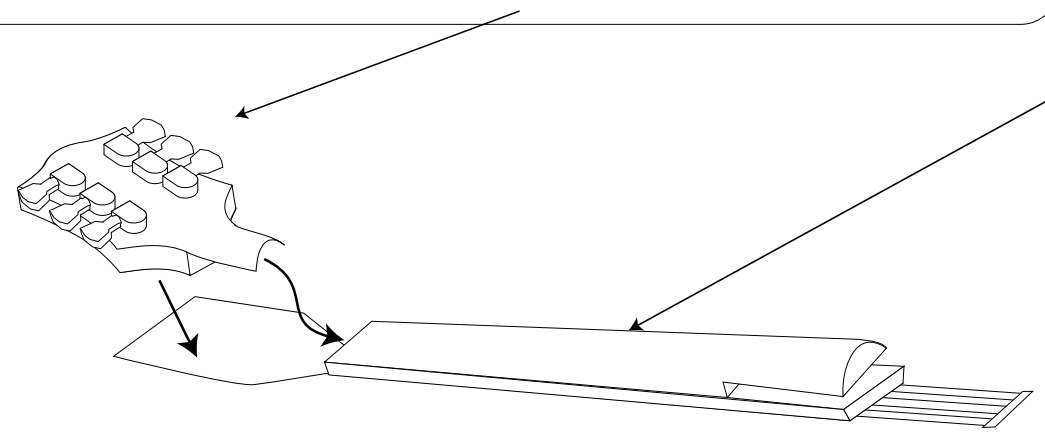
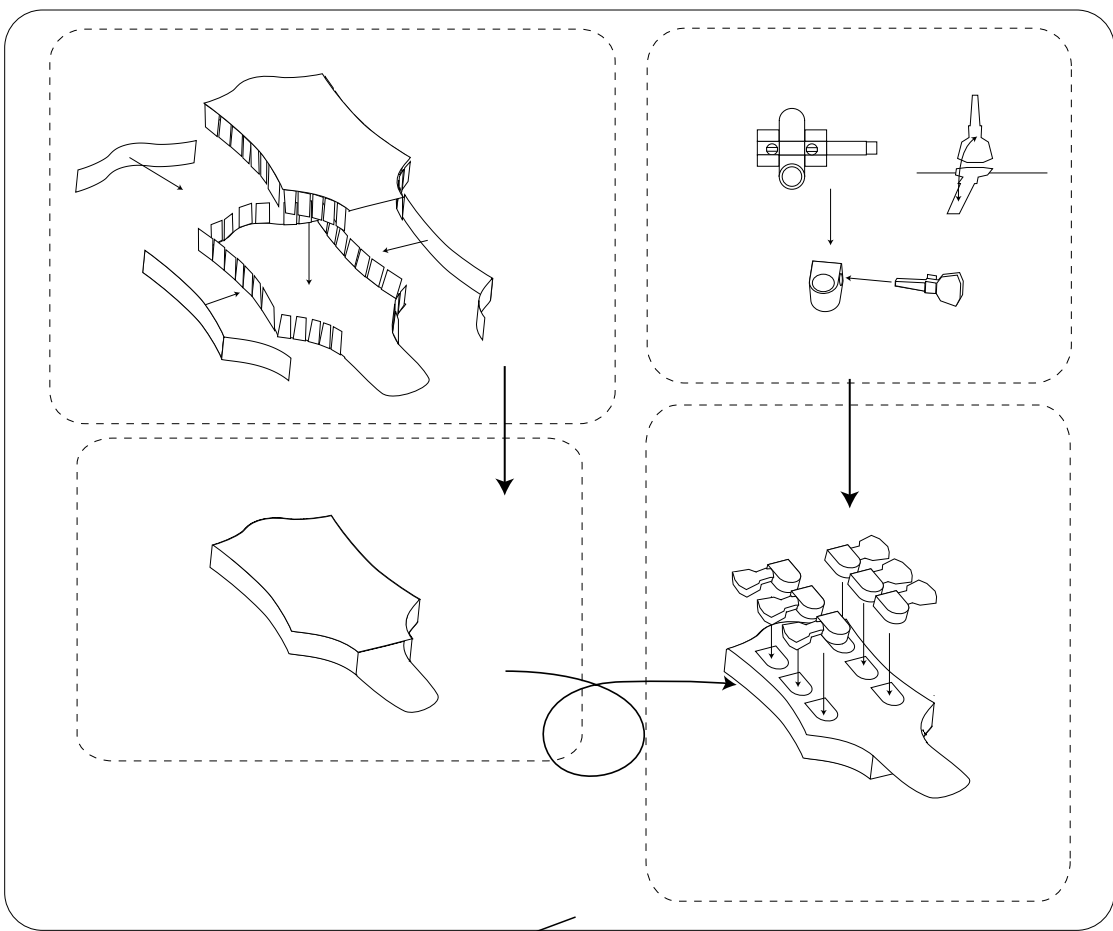
Body_top(B)

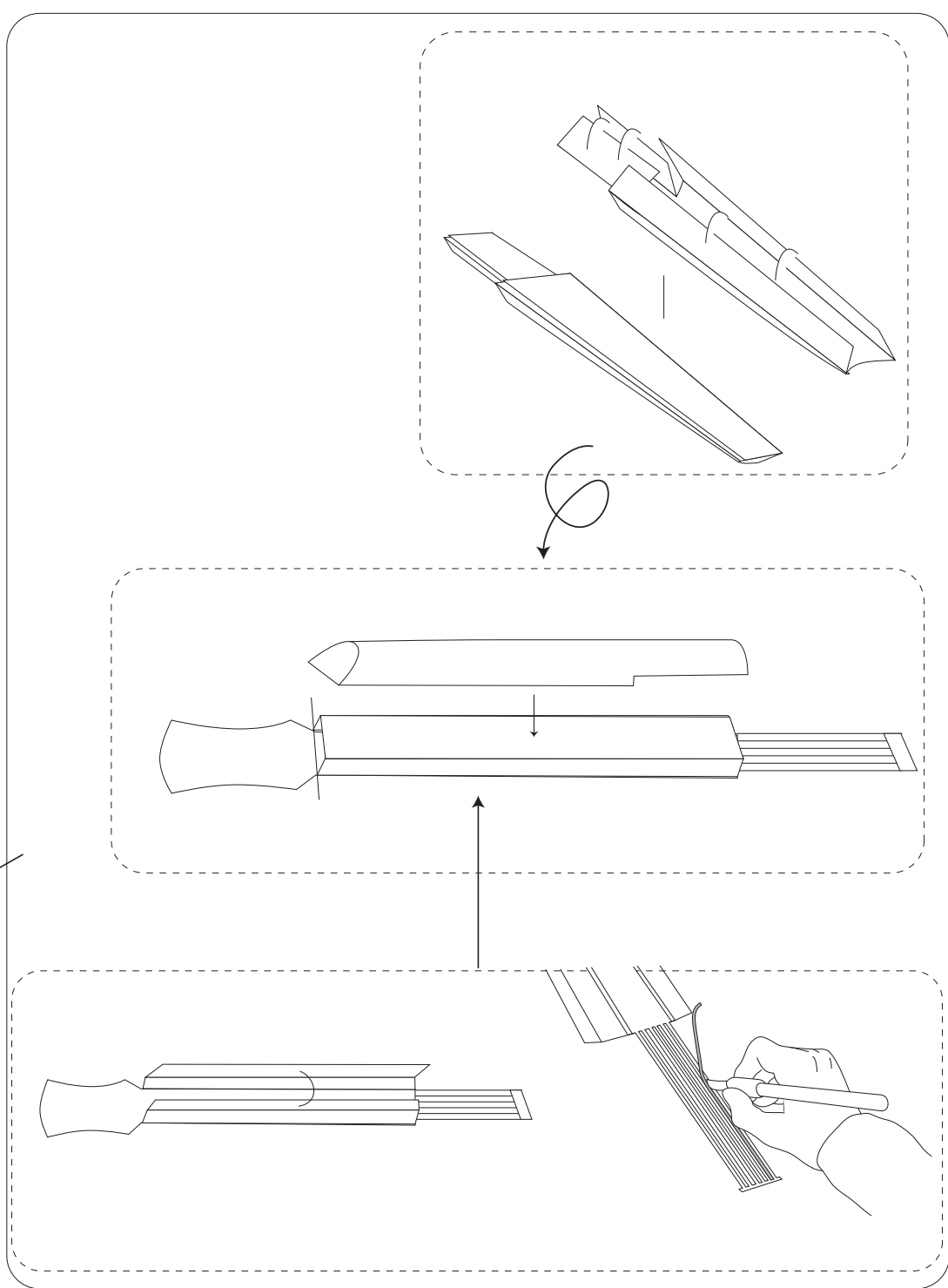
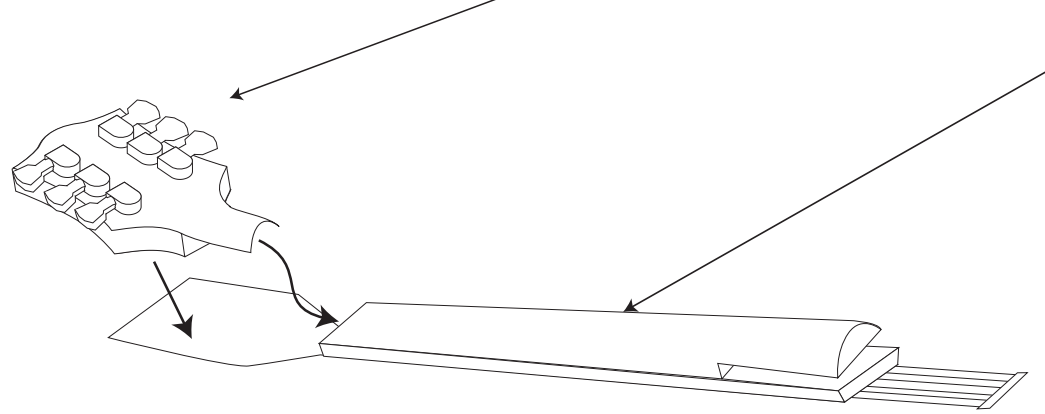
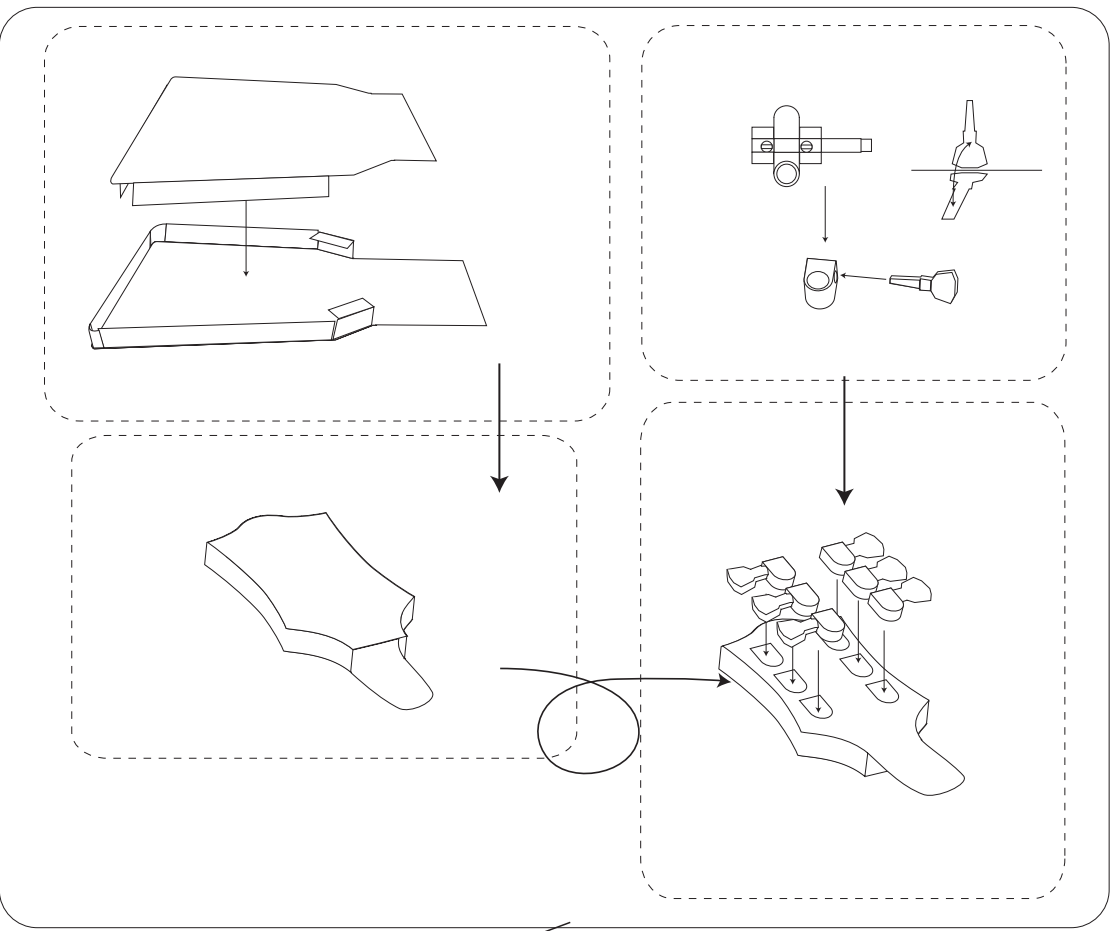


Body_back(C)

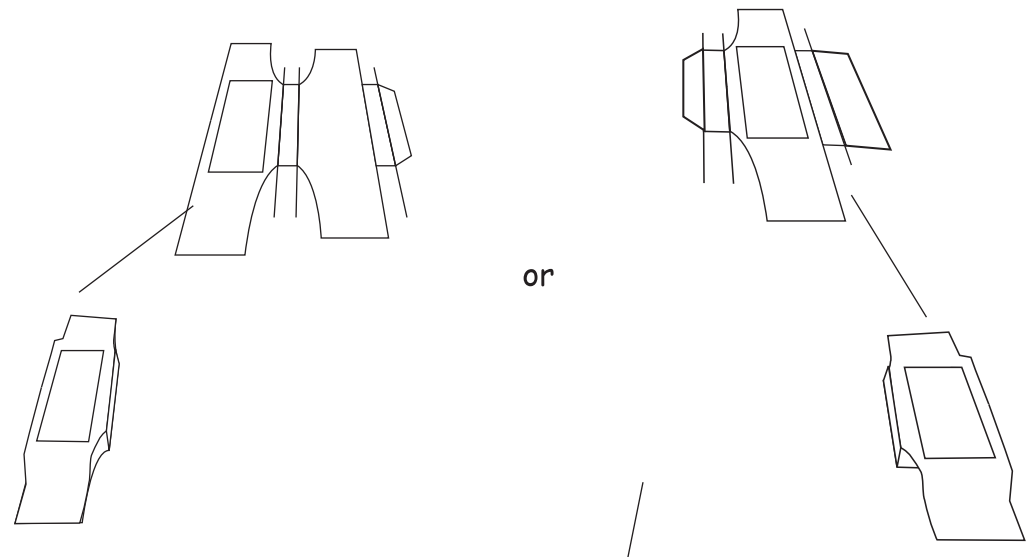


Body_top(C)



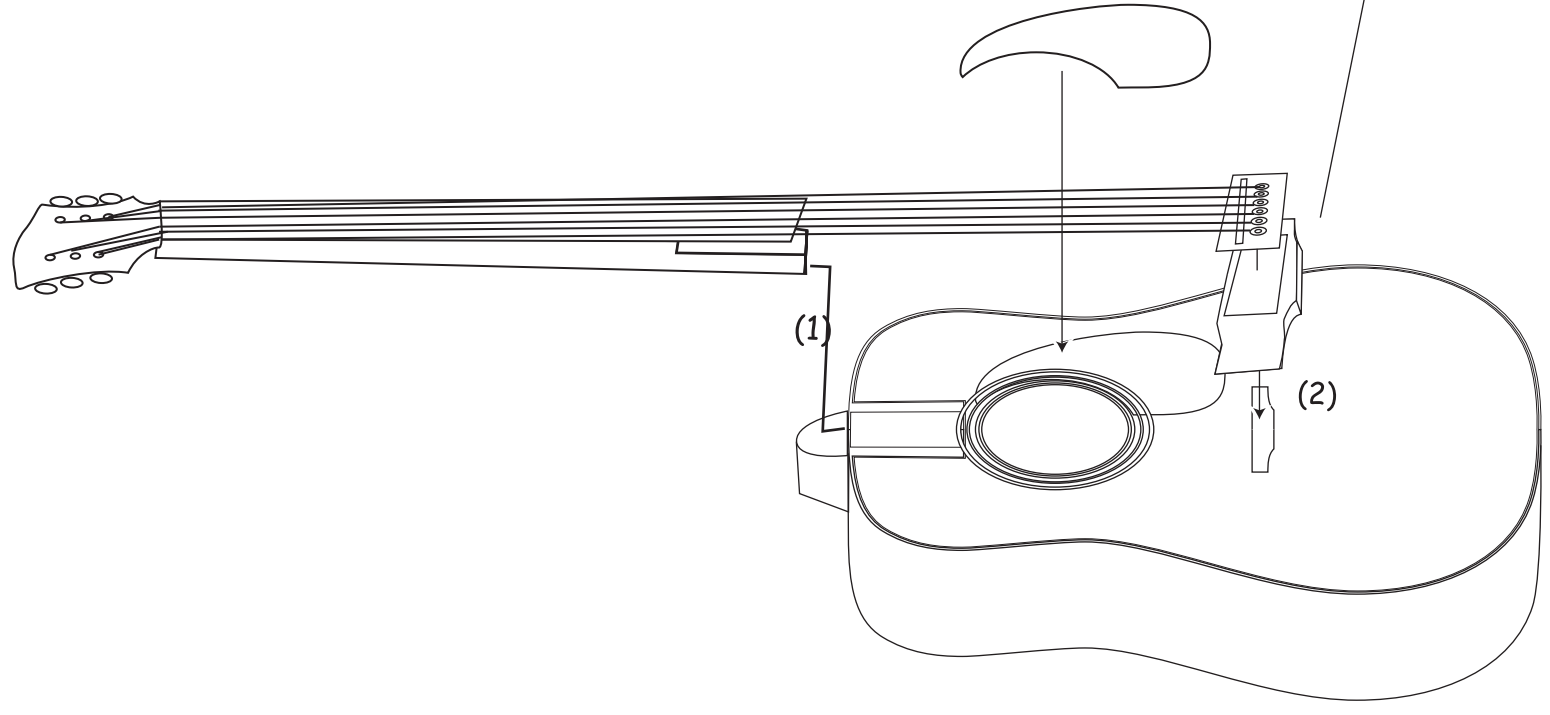


Bridge



or

Pickguard



(1)

(2)